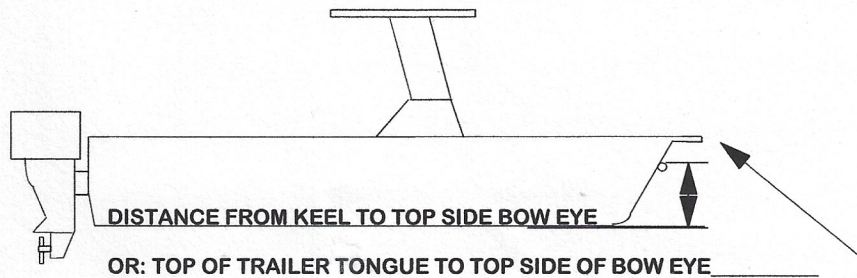
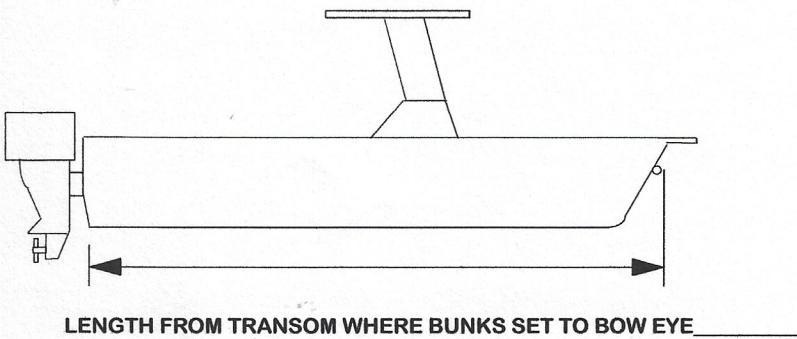
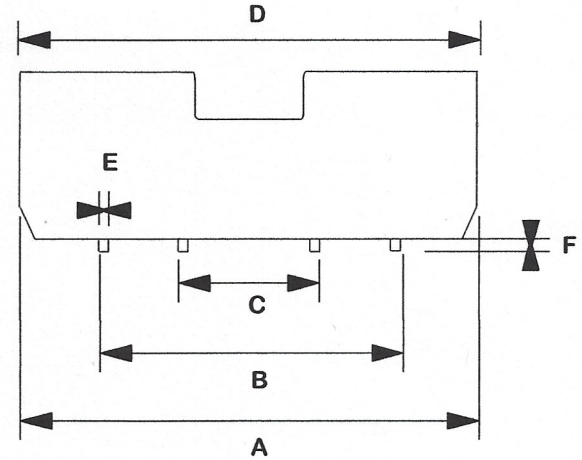
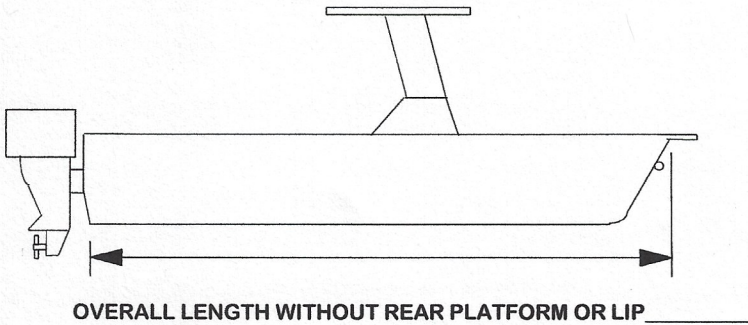


ROAD KING TRAILERS / BOAT MEASUREMENT CHART

BOAT MANUFACTURER _____ MODEL _____

BOAT HULL WEIGHT _____ ENGINE _____ FUEL _____

"FLAT BOTTOM SKIFF"



A= BOTTOM WIDTH OF BOATS _____

B= OUTER CHINE _____

C= INNER CHINE _____

D= WIDEST BEAM OF BOAT _____

E= WIDTH OF STRAKE _____

F= HEIGHT OF STRAKE _____

REQUIRES 2 PIECE POLY 9" BOW ROLLERS?: _____

REQUIRED IF HAS A LONG LIP ON TOP OF DECK

DEALER NAME: _____

MEASURED BY: _____

DATE: _____